

# Mains Connection and Control Switch Connection with Internal PSU

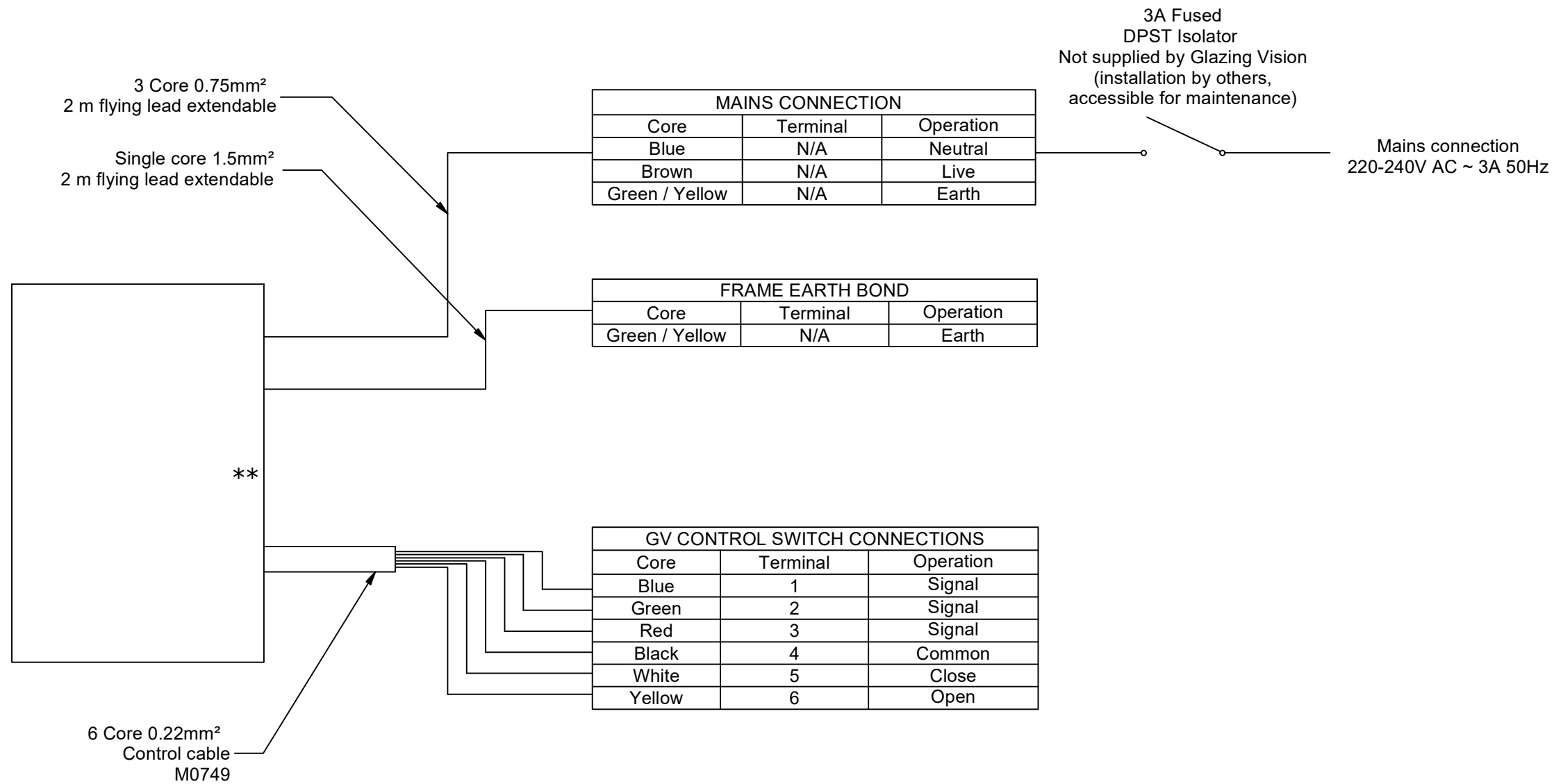
This is a fixed installation. All connections should be carried out by a competent person.

For units requiring commissioning, a mains supply must be available on site when the unit is installed. Additional visits may incur additional charges.

For maintenance reasons the control switch must always be installed.

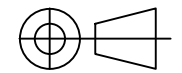
All cables supplied at 2 m, extendable to 10 m with appropriate cable.

All optional items must be specified at time of order.



OTHER CONNECTIONS	
Description	Drawing Number
Mains Connection and Control Switch Connection with External PSU (except Xvent)	100-SDD-UK-003
Secondary Control Switch or BMS Connection	100-SDD-UK-004
Fire System Connection	100-SDD-UK-005
Digital Rain Sensor Connection (without Rain Sensor Override)	100-SDD-UK-006
Optical Rain Sensor Connection (without Rain Sensor Override)	100-SDD-UK-007
Digital Sensor with Rain Sensor Override Connection	100-SDD-UK-008
Optical Rain Sensor with Rain Sensor Override Connection	100-SDD-UK-009
Thermostat Connection	100-SDD-UK-010
Keypad Connection (Alpro E0678)	100-SDD-UK-011
Keypad Connection (Strikemaster E0102)	100-SDD-UK-012
Mains Connection and Control Switch Connection with External PSU (Xvent only)	100-SDD-UK-014

\*\*Cables exit from the underside of the product. See the upstand drawing for the exact exit position.



Third angle projection unless otherwise stated

THIS IS A STANDARD DRAWING. THE UNIT PURCHASED MAY VARY. THIS DRAWING DOES NOT INDICATE ACCURATE DIMENSIONS FOR ANY EXISTING STRUCTURAL COMPONENTS OR PRODUCTS.

DO NOT USE THIS DRAWING FOR ANY SITE LAYOUTS. ON-SITE PERSONNEL ARE RESPONSIBLE TO CONFIRM DRAWINGS VS SPECIFIC SITE CONDITIONS.

ESTIMATED WEIGHT	N/A	SCALE	Not to scale <small>(UNLESS OTHERWISE STATED)</small>
------------------	-----	-------	--

REVISION	DESCRIPTION	NAME/DATE
-	Initial Release	HL 09/Dec/2020
A	Hinge product representation removed	RJ 16 Jan 2023

PROJECT	
Universal Controller MA0106 Wiring Diagrams	
TITLE / DESCRIPTION	CHECKED
Mains Connection and Control Switch Connection with Internal PSU	
DRAWING NO.	SHEET
100-SDD-UK-013	1 OF 1