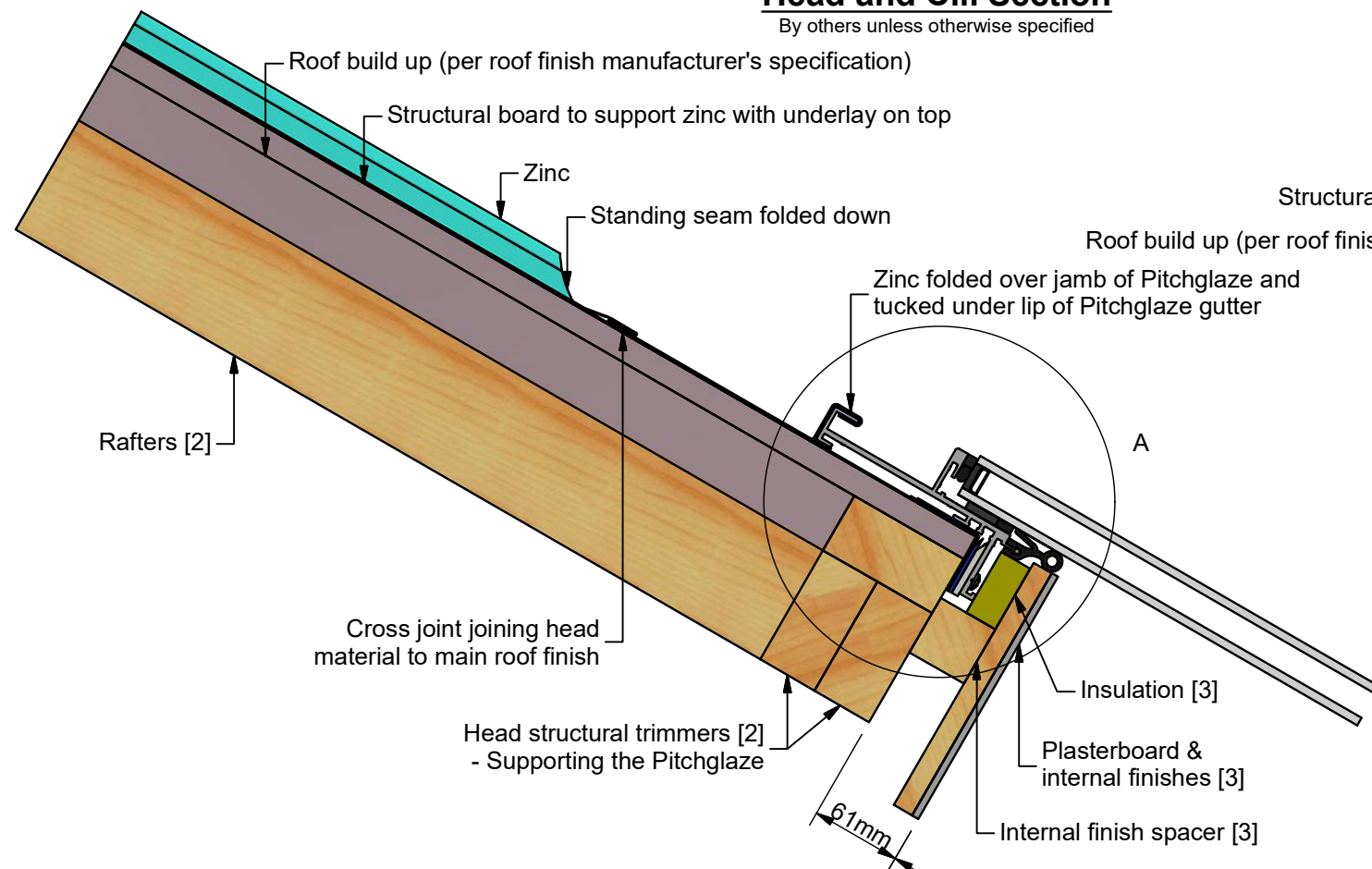


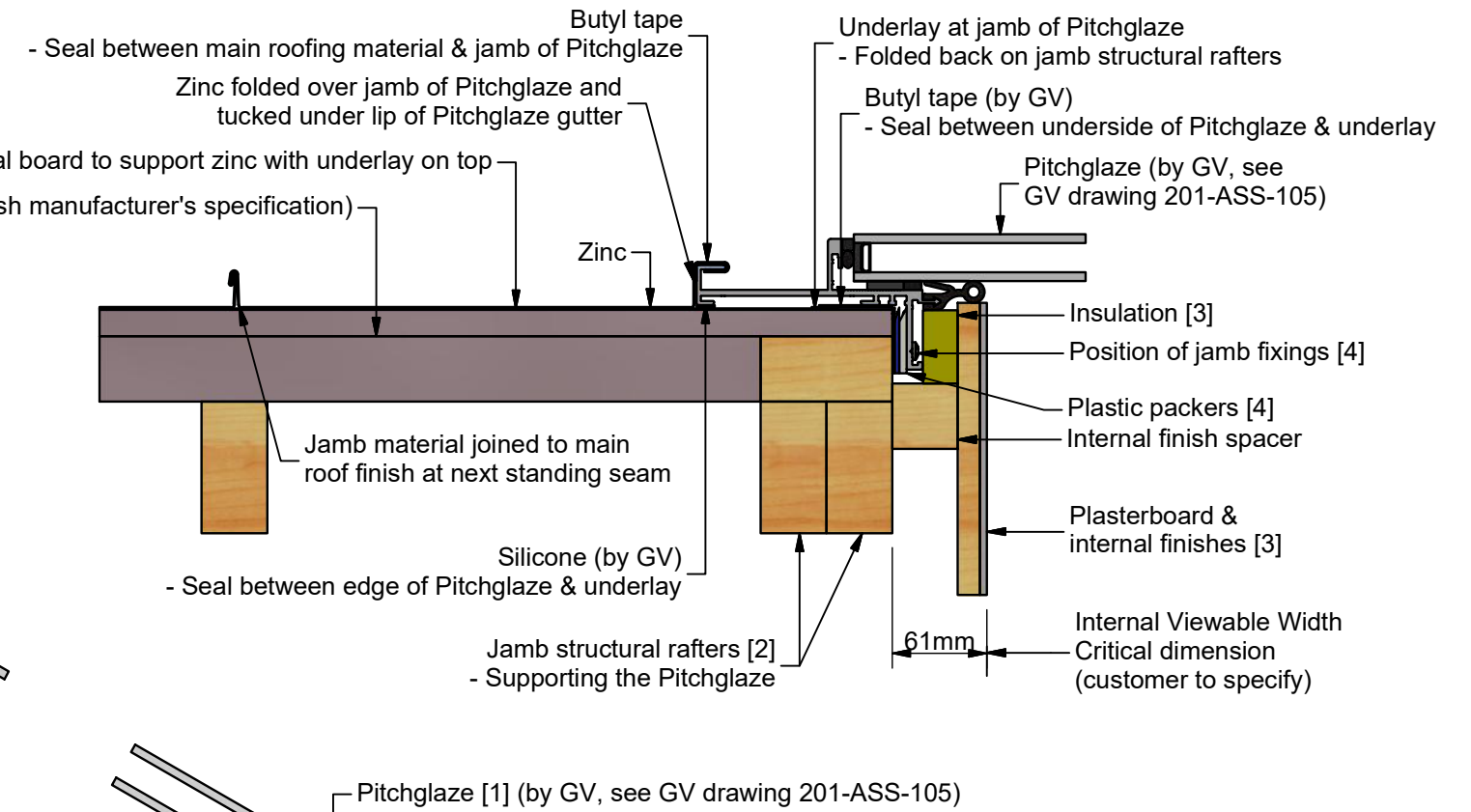
Head and Cill Section

By others unless otherwise specified



Jamb Section

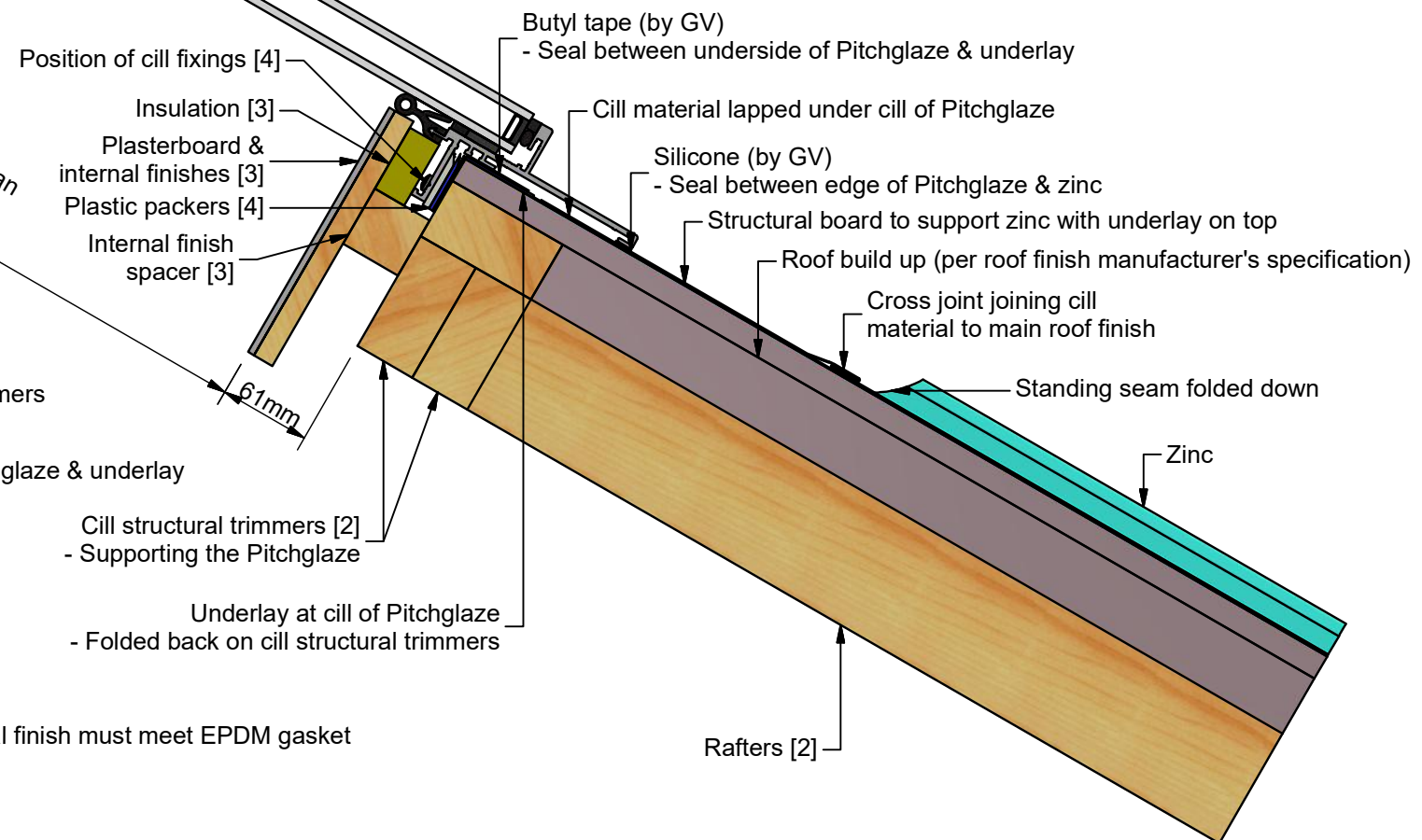
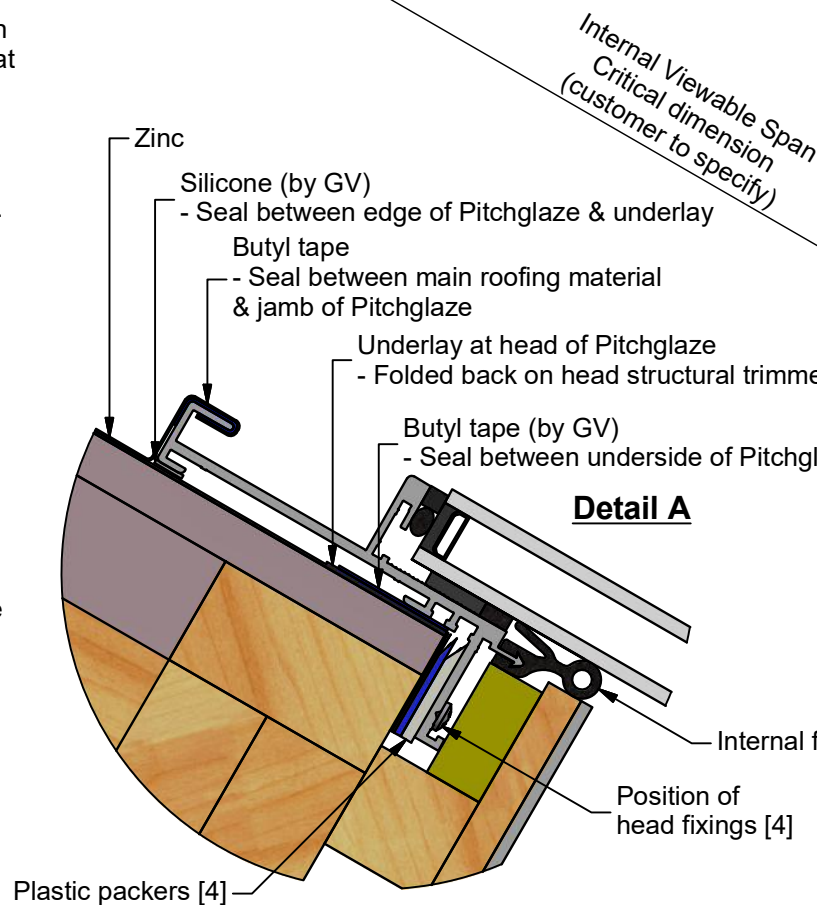
By others unless otherwise specified



Note:
The *Standing Seam Zinc Roof Installation* shown here is a version of the *Standard Installation* (see GV drawing 201-ASS-102), in that the Pitchglaze sits directly onto the supporting structure. If attempting a standing seam zinc roof version of the *Sunken Installation* (see GV drawing 201-ASS-103), where the Pitchglaze sits below the level of the surrounding battens, note that:
- A cill tilting fillet should be used (see GV drawing 201-ASS-103).
- The underlay should be dropped to lap under the Pitchglaze around all edges (see GV drawing 201-ASS-103).

- [1] Example glazing unit: Toughened double glazed unit
 - 6mm HST toughened outer pane
 - 16mm argon-filled cavity, black warm edge spacer
 - 6mm HST toughened soft coat low-E inner
- [2] Example of roofing:
 - Standing seam zinc (or similar material) weathering
 - 4 x 2in rafters and trimmers
- [3] Example of internal finish:
 - Plasterboard spaced away from the rafters/structural trimmers using 2in timber
 - Space between plasterboard and aluminium frame of Pitchglaze insulated
- [4] Fixings:
 - Woodscrews and a selection of plastic packers supplied by GV

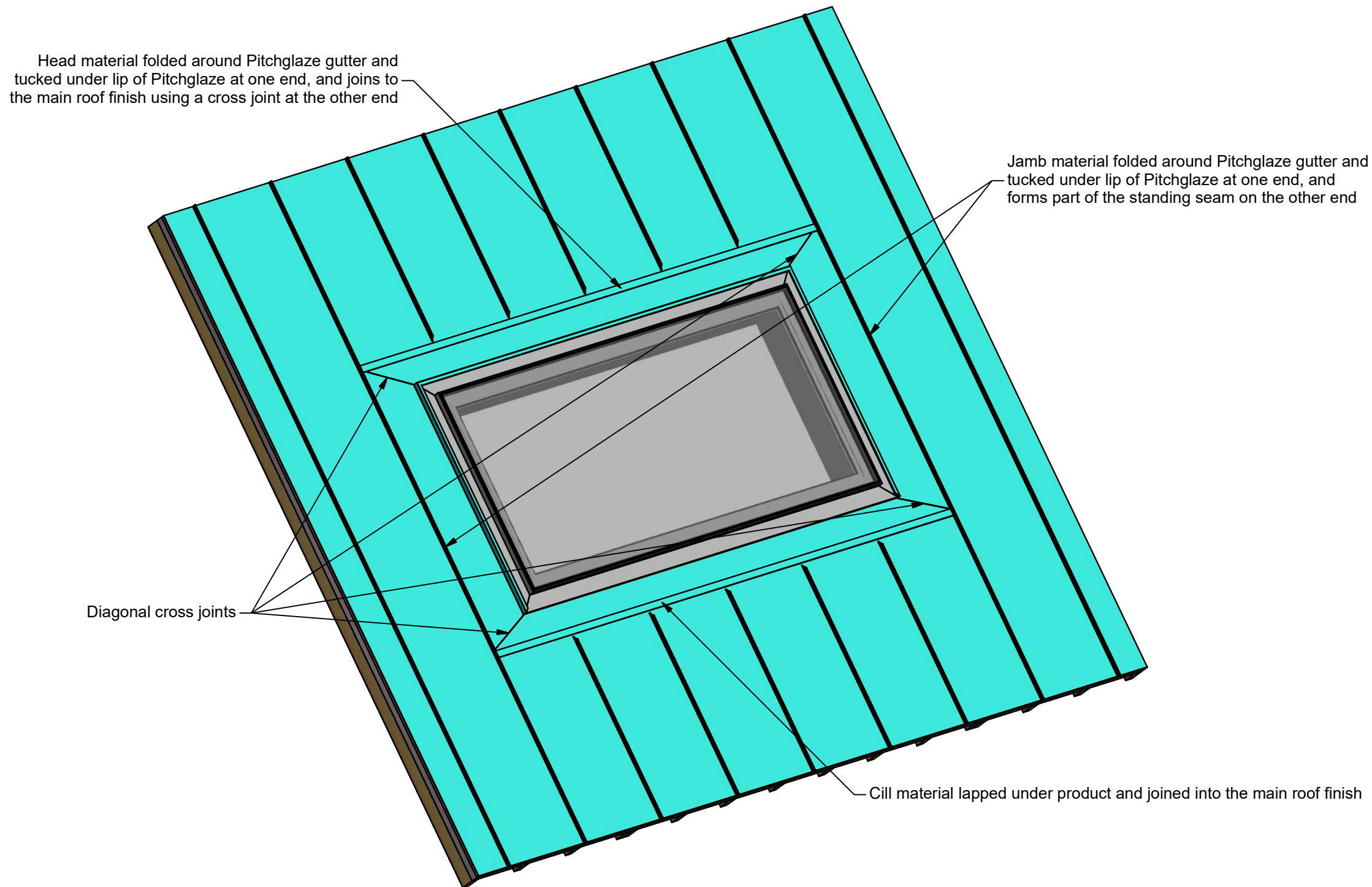
Please Note:
These products can be very heavy. GV strongly recommend that a structural engineer is consulted when designing the structure(s) that will support the Pitchglaze and the surrounding roof. The roofing materials & construction shown in these details are presented as an example only. This drawing does not constitute a structural proposal.



<p>Saw Mills Road Diss Norfolk IP22 4RG</p> <p>Tel: +44 (0)333 8000 881 Fax: +44 (0)333 8000 882 Email: sales@glazingvision.co.uk Website: www.glazingvision.co.uk</p>	<p>IT IS GLAZING VISION'S POLICY TO CONTINUOUSLY DEVELOP AND IMPROVE OUR PRODUCTS. WE THEREFORE RESERVE THE RIGHT TO MODIFY OR CHANGE THE DETAIL DESIGN AT OUR DISCRETION AND WITHOUT PRIOR NOTICE. THIS DRAWING IS COPYRIGHT AND THE SOLE PROPERTY OF GLAZING VISION LTD. THE DESIGNS/INFORMATION IT CONTAINS ARE PRIVATE AND CONFIDENTIAL. IT MUST NOT BE COPIED, EXHIBITED OR COMMUNICATED TO THIRD PARTIES FOR ANY PURPOSE OTHER THAN THAT FOR WHICH IT WAS ISSUED WITHOUT THE WRITTEN PERMISSION OF GLAZING VISION LTD.</p>	<p>Third angle projection unless otherwise noted. Tolerances: Whole numbers = ±1mm One decimal place = ±0.5mm Two decimal places = ±0.2mm All angles 90±0.5 degrees unless specified IF IN DOUBT - ASK! DO NOT SCALE Supplier to deburr & remove sharp corners</p>	Rev	Revision Description	Drawn/Date	Product: 201 - GV Standard Pitchglaze MkII	Checked By:
			-	INITIAL ISSUE	HL	Description: Standing Seam Zinc Roof Installation	ASB
			-	-	16.11.20	Materials: AS SITE HARDWARE LIST	Check Date:
			-	-	-	Finish: - Weight: N/A Quantity: - Scale: NTS	16.11.20
						Drawing No: 201-ASS-106 (1 of 2)	

There are many possible methods of weathering a Pitchglaze into a standing seam zinc roof. Shown here is an example of a suggested configuration using separate pieces of material to weather the Pitchglaze into the surrounding roof finish.

Glazing Vision strongly advises that you consult with your roofer when designing the roof finish.



Rev	Revision Description	Drawn/Date
-	INITIAL ISSUE	HL 16.11.20

Product: 201 - GV Standard Pitchglaze MkII		Checked By: ASB
Description: Standing Seam Zinc Roof Installation		
Materials: AS SITE HARDWARE LIST		Check Date: 16.11.20
Finish: -	Drawn By: HL	
Weight: N/A	Drawn Date: 16.11.20	
Quantity: -	Drawing No: 201-ASS-106 (2 of 2)	
Scale: NTS		