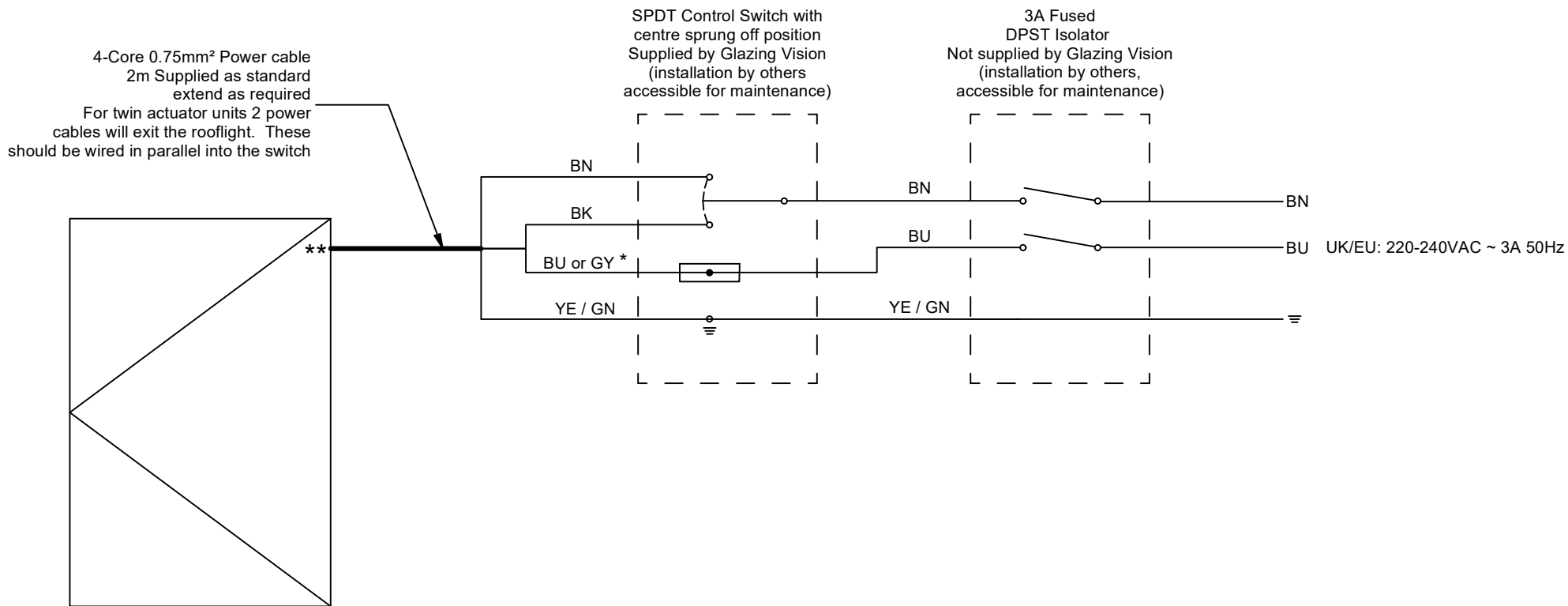


This is a fixed installation all connections should be carried out by a competent person.

A mains supply must be available on site when the unit is installed otherwise it may not be possible to fully commission the rooflight. Additional visits will incur additional charges.



\* Dependent on cable supplier the colour can be Blue (BU) or Grey (GY)

\*\* Cable exit from the underside refer to kerb drawing 401-ASS-401 for detailed exit position

<p>Saw Mills Road Diss Norfolk IP22 4RG</p> <p>Tel: +44 (0)333 8000 881 Fax: +44 (0)333 8000 882 Email: sales@glazingvision.co.uk Website: www.glazingvision.co.uk</p>	<p>IT IS GLAZING VISION'S POLICY TO CONTINUOUSLY DEVELOP AND IMPROVE OUR PRODUCTS. WE THEREFORE RESERVE THE RIGHT TO MODIFY OR CHANGE THE DETAIL DESIGN AT OUR DISCRETION AND WITHOUT PRIOR NOTICE. THIS DRAWING IS COPYRIGHT AND THE SOLE PROPERTY OF GLAZING VISION LTD. THE DESIGNS/INFORMATION IT CONTAINS ARE PRIVATE AND CONFIDENTIAL. IT MUST NOT BE COPIED, EXHIBITED OR COMMUNICATED TO THIRD PARTIES FOR ANY PURPOSE OTHER THAN THAT FOR WHICH IT WAS ISSUED WITHOUT THE WRITTEN PERMISSION OF GLAZING VISION LTD.</p>	<p>Third angle projection unless otherwise noted. Tolerances: Whole numbers = ±1mm One decimal place = ±0.5mm Two decimal places = ±0.2mm All angles 90±0.5 degrees unless specified <b>IF IN DOUBT - ASK! DO NOT SCALE</b> <b>Supplier to deburr &amp; remove sharp corners</b></p>	Rev	Revision Description	Drawn/Date	Product: 401 - GV Standard VisionVent		Checked By:
			D	Changed the note about Fused DPST Isolator and removed USA main power Connection	HTT 19.10.20	Description: GV Standard chain vent client wiring diagram		
			E	Secondary earthing cable removed.	RJ 31 Aug 2022	Materials: N/A	Drawn By: JamesB	
						Finish: N/A	Weight: N/A	Quantity: N/A