

Third angle projection unless otherwise stated

THIS IS A STANDARD DRAWING, THE UNIT PURCHASED MAY VARY. THIS DRAWING DOES NOT INDICATE ACCURATE DIMENSIONS FOR ANY EXISTING STRUCTURAL COMPONENTS OR PRODUCTS.

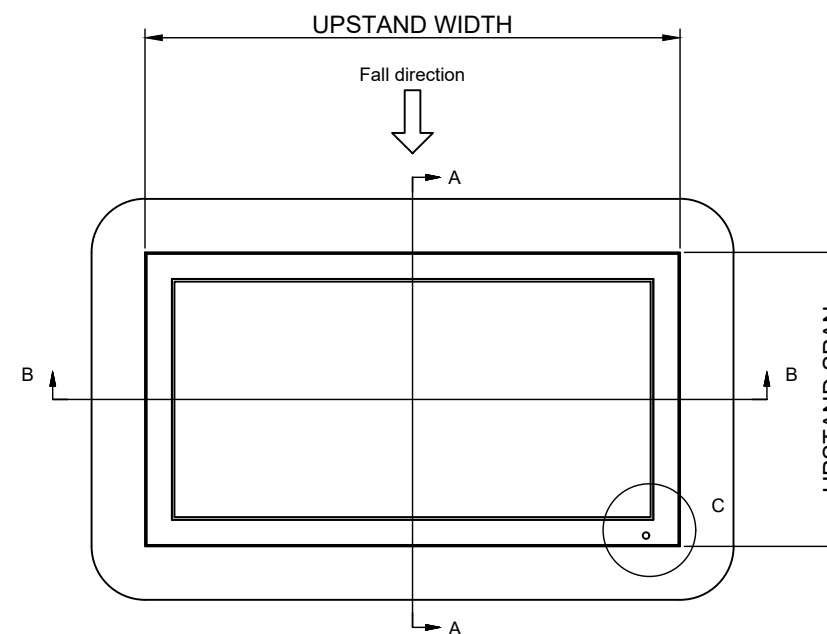
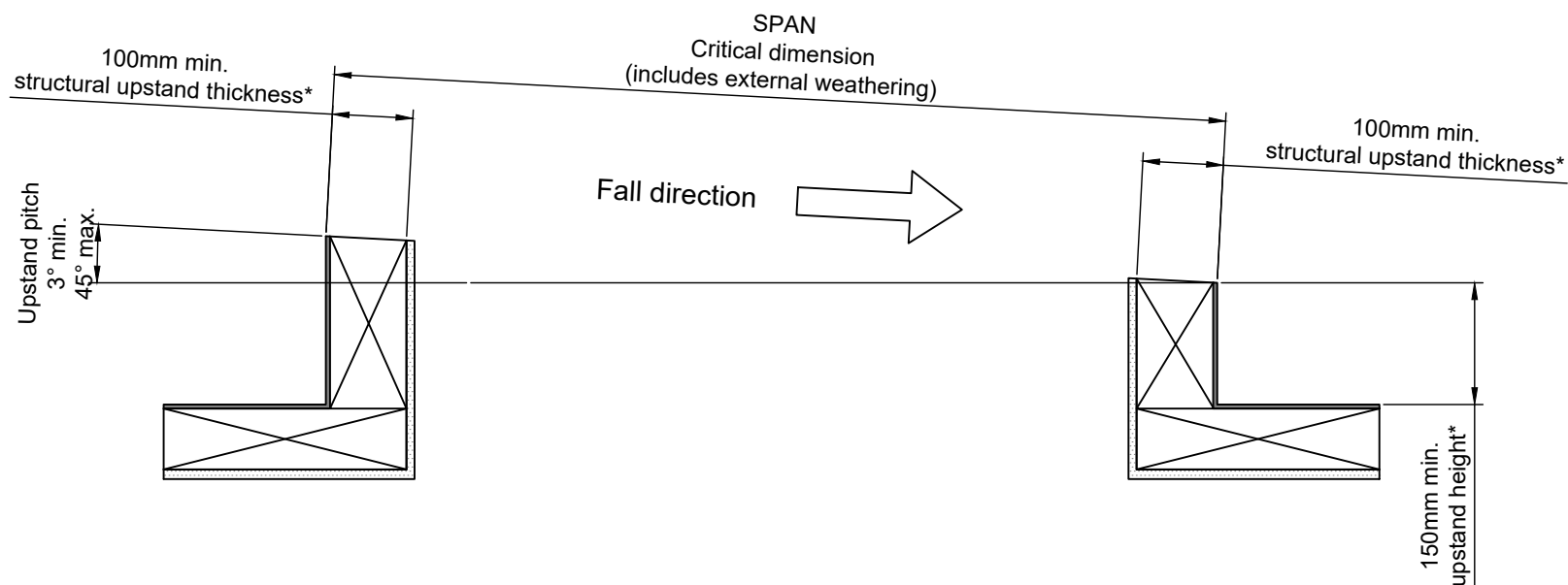
DO NOT USE THIS DRAWING FOR ANY SITE LAYOUTS. ON-SITE PERSONNEL ARE RESPONSIBLE TO CONFIRM DRAWINGS VS SPECIFIC SITE CONDITIONS.

ESTIMATED WEIGHT	N/A	SCALE	Not to scale
------------------	-----	-------	--------------

REVISION	DESCRIPTION	NAME/DATE
-	Initial Release	DRA 07/May/2025

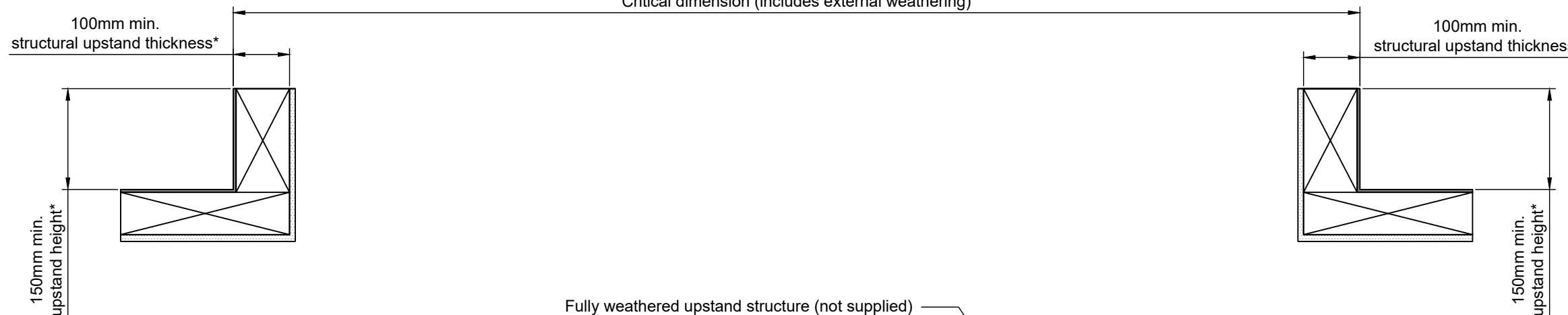
PROJECT Skyhatch Electric	
TITLE / DESCRIPTION Upstand Detail	CHECKED JOB 07/May/2025
DRAWING NO. 407-SDD-UK-002	SHEET 1 OF 1

**Section A-A
VIEW ALONG FALL**



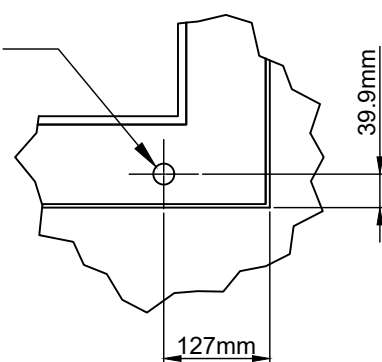
**Section B-B
VIEW ACROSS FALL**

WIDTH
Critical dimension (includes external weathering)



**Detail C
FOR ELECTRIC OPTION ONLY**

Location of cables exiting from underside of Skyhatch frame
Ø 25mm min. holes required in upstand



- * Notes:
- Refer to 100-SDD-UK-001 for detailed upstand information
 - Structural upstand thickness DOES include external weathering but does not include internal finishes (see 100-SDD-UK-002)
 - Upstand height may vary around the upstand. The upstand MUST exceed the given minimum upstand height at all points

